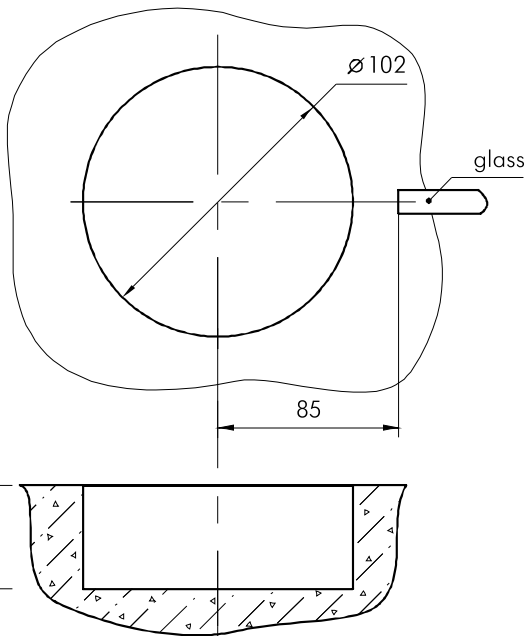
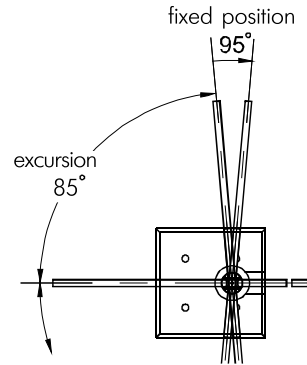


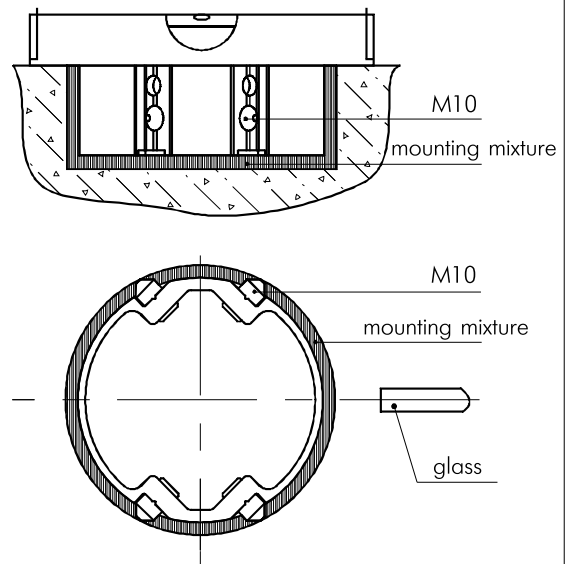
SKLO+GLAS DOOR CLOSER.

Mounting Guide.

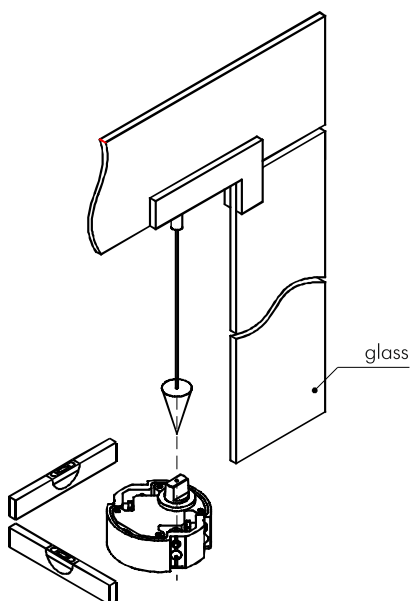
1. Perform a hole in the floor (pic.1).
2. Apply the mounting mixture on the walls and the bottom of the hole. Install the Door Closer's body in the floor level and tight the screws M10 (4pcs) up to the stop in the hole walls(pic.2).
3. Upon the mounting mixture hardening install the Door Closer's case (using plumb line) and tight the screws M8 - 4pcs. (pic.3).
4. Install and fix the Door Closer's cover plate using M4 screws - 4pcs. (pic.4).



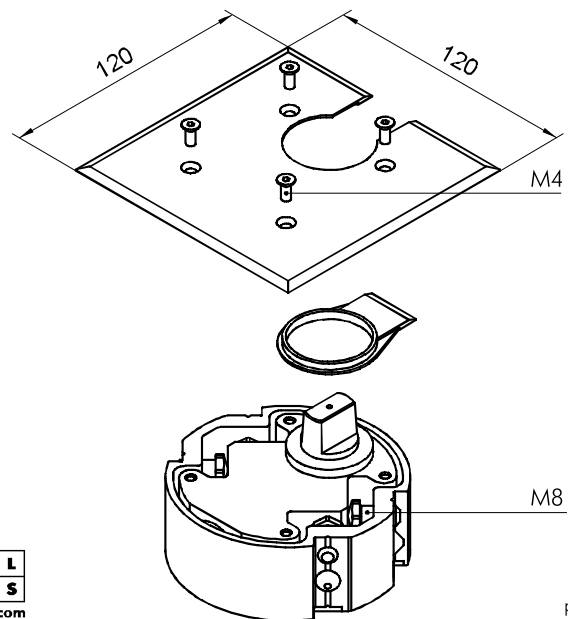
pic .1



pic .2



pic .3



pic .4